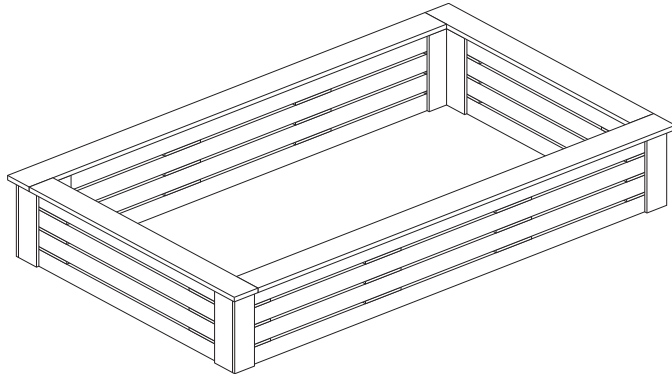


Assembly Instructions



Before assembly

- We recommend that time is taken to read the instructions before starting assembly, then follow the easy step by step guide. The instruction sheet is only a guide to the assembly. Certain items may not be shown to scale.
- Check all components prior to assembly
- This product should be assembled by no less than two people.

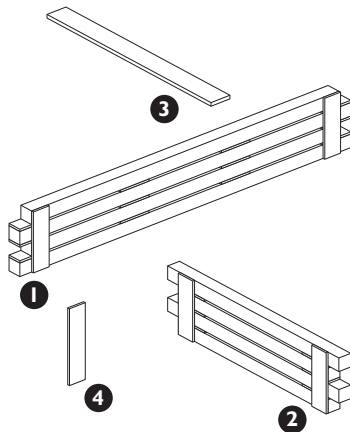


Recommended tools for assembly

- Hammer

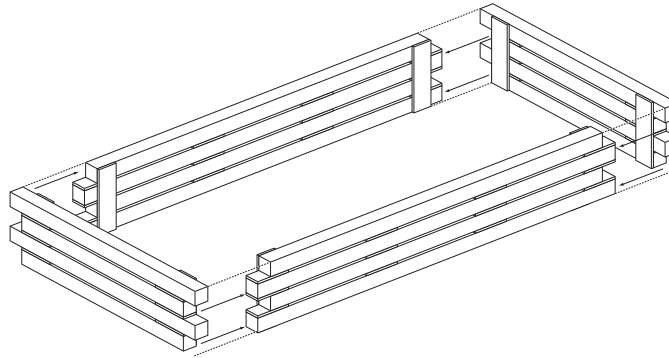
No.	Components	Qty.
1	Front/back panel	2
2	Side panel	2
3	Corner board	8
4	Top board	4

No.	Fixing Kit	Qty.
5	50mm nails	30
6	40mm nails	64



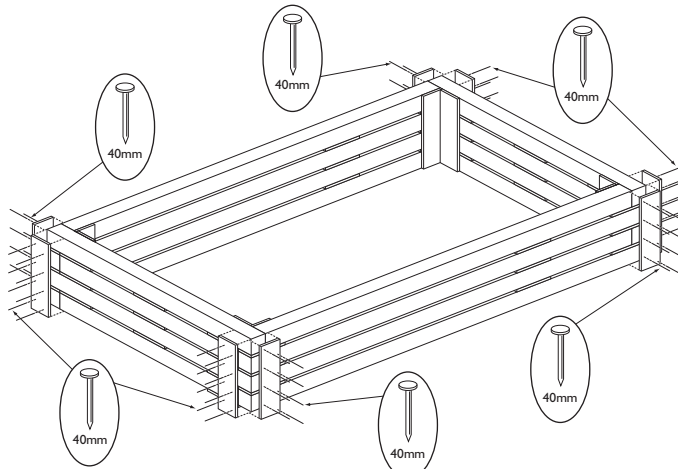
1. Side panels

Interlock the side panels.



1. Corner boards

Nail on each corner boards using 8 x 40mm nails per strip.



3. Top boards

Nail the top boards on evenly around the top of the assembly using 10 x 50mm nails per board.

